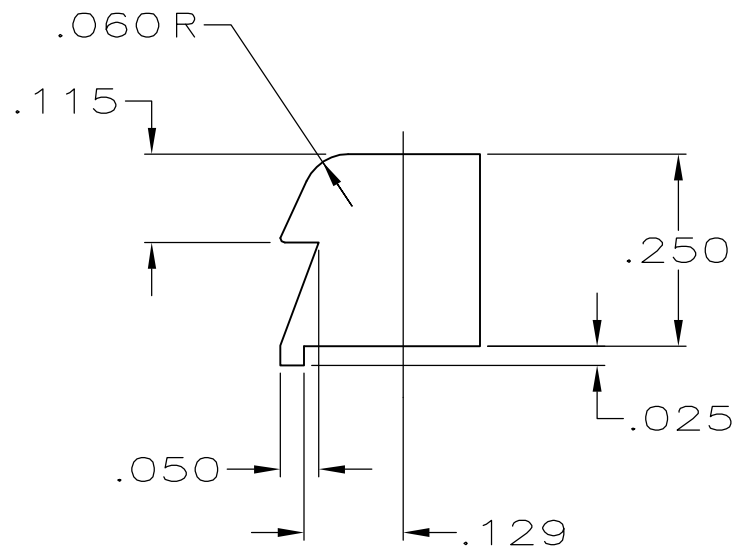
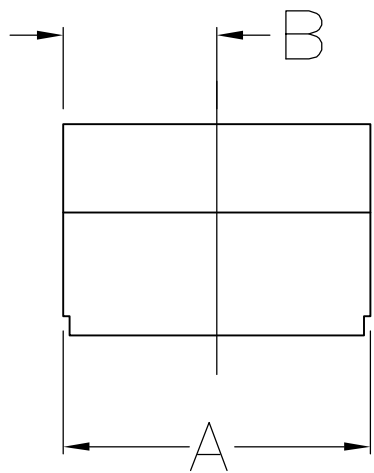
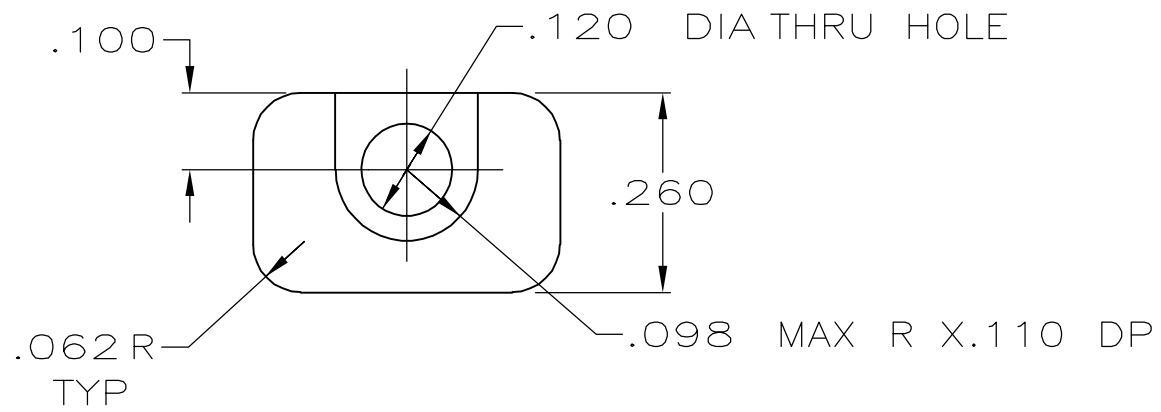


THIS DRAWING IS UNPUBLISHED. RELEASED FOR PUBLICATION
 © COPYRIGHT BY TYCO ELECTRONICS CORPORATION. ALL RIGHTS RESERVED.

LOC	DIST	REVISIONS					
GP	00	P	LTR	DESCRIPTION	DATE	DWN	APVD
			B	REV PER EC 0S13-0331-05	26SEP06	JDP	CWR



OBSOLETE	BULK PACKAGED	2	.265	.530	745286-6
OBSOLETE	ONE KIT PER BAG	2	.265	.530	745286-5
OBSOLETE	BULK PACKAGED	2	.200	.400	745286-3
	ONE KIT PER BAG	2	.200	.400	745286-2
	PACKAGING	QUANTITY	B	A	PART NUMBER

THIS DRAWING IS A CONTROLLED DOCUMENT.		DWN J GALLUCCI BG 4-10-90	Tyco Electronics Corporation Harrisburg, PA 17105-3608		
DIMENSIONS: INCHES	TOLERANCES UNLESS OTHERWISE SPECIFIED:	CHK -	NAME LATCHING BLOCK, AMPLIMITE		
	0 PLC ± -	APVD -	PRODUCT SPEC -		
	1 PLC ± -		APPLICATION SPEC -		
	2 PLC ± -		SIZE A3	CAGE CODE 00779	DRAWING NO C-745286
	3 PLC ± .005		RESTRICTED TO -		
	4 PLC ± -		SCALE 4:1		
	ANGLES ± -		SHEET 1 OF 1		
MATERIAL ZINC-ZAMAC #3	FINISH	WEIGHT -	REV B		
CUSTOMER DRAWING					